



US005676704A

United States Patent [19]

[11] Patent Number: **5,676,704**

Ries et al.

[45] Date of Patent: **Oct. 14, 1997**

[54] ACETABULAR CUP BODY PROSTHESIS

FOREIGN PATENT DOCUMENTS

[75] Inventors: **Michael D. Ries**, Cooperstown, N.Y.;
Brian Austin, Germantown, Tenn.;
David L. Evans, Bartlett, Tenn.; **Steve Miller**; **Jeff Shea**, both of Memphis, Tenn.

0 013 863	8/1980	European Pat. Off.	A61F 1/00
0 169 978	2/1986	European Pat. Off.	A61F 2/34
0 091 315	7/1986	European Pat. Off.	A61F 2/34
0 211 169	2/1987	European Pat. Off.	A61F 2/34
0 212 087	3/1987	European Pat. Off.	A61F 2/30
0 285 756	10/1988	European Pat. Off.	A61F 2/34
0 327 509	5/1991	European Pat. Off.	A61F 2/46
3341723 C1	3/1985	Germany	A61F 1/03
WO95/16413	6/1995	WIPO	A61F 2/34

[73] Assignee: **Smith & Nephew, Inc.**, Memphis, Tenn.

OTHER PUBLICATIONS

[21] Appl. No.: **563,219**

Osteonics The Science Of Better Fit Brochure, Secur-Fit HA PSL Acetabular Shells, Hydroxylapatite Coated Shells, 2 pages. Feb. 1995.

[22] Filed: **Nov. 27, 1995**

[51] Int. Cl.⁶ **A61F 2/30**

[52] U.S. Cl. **623/18; 623/22**

[58] Field of Search **623/18, 22, 23**

Primary Examiner—Randy C. Shay

Attorney, Agent, or Firm—Pravel, Hewitt, Kimball & Krieger

[56] References Cited

[57] ABSTRACT

U.S. PATENT DOCUMENTS

3,939,497	2/1976	Heimke et al.	3/1.912
4,241,463	12/1980	Khovaylo	3/1.913
4,685,923	8/1987	Mathys	623/22
4,695,282	9/1987	Forte et al.	623/22
4,704,127	11/1987	Averill et al.	623/22
4,792,337	12/1988	Müller	623/22
4,795,470	1/1989	Goyman et al.	623/22
4,798,610	1/1989	Averill et al.	623/22
4,813,959	3/1989	Cremscoli	623/22
4,828,565	5/1989	Duthoit et al.	623/22
4,892,549	1/1990	Figgie, III et al.	623/22
5,358,532	10/1994	Evans et al.	623/22
5,443,519	8/1995	Averill et al.	623/22

An improved acetabular cup prosthesis has a cup body with correspondingly shaped outer convex and inner concave surfaces. The cup body has an apex and a base that defines a plane. The cup body outer convex surface has first and second curved, shaped portions positioned in between the base and the apex. In one embodiment, the outer convex surface has specially shaped portion in between the rim and a distance about one third of the distance of the rim to the apex. This specially shaded portion forms an interference fit with a patient's acetabular socket.

14 Claims, 4 Drawing Sheets

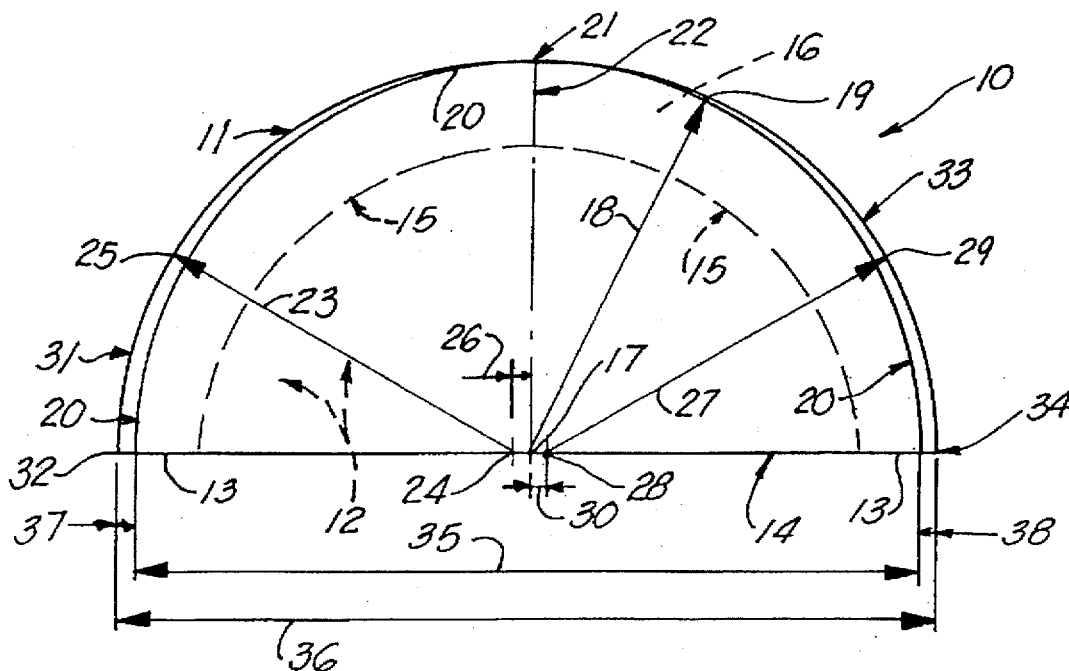


FIG. 5

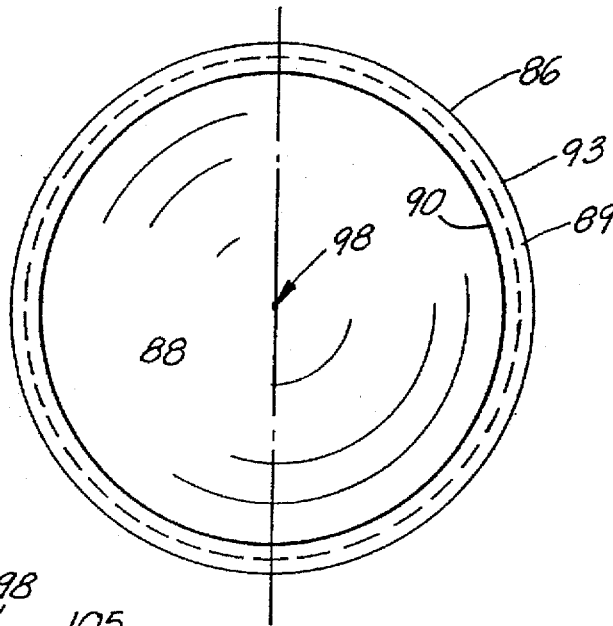
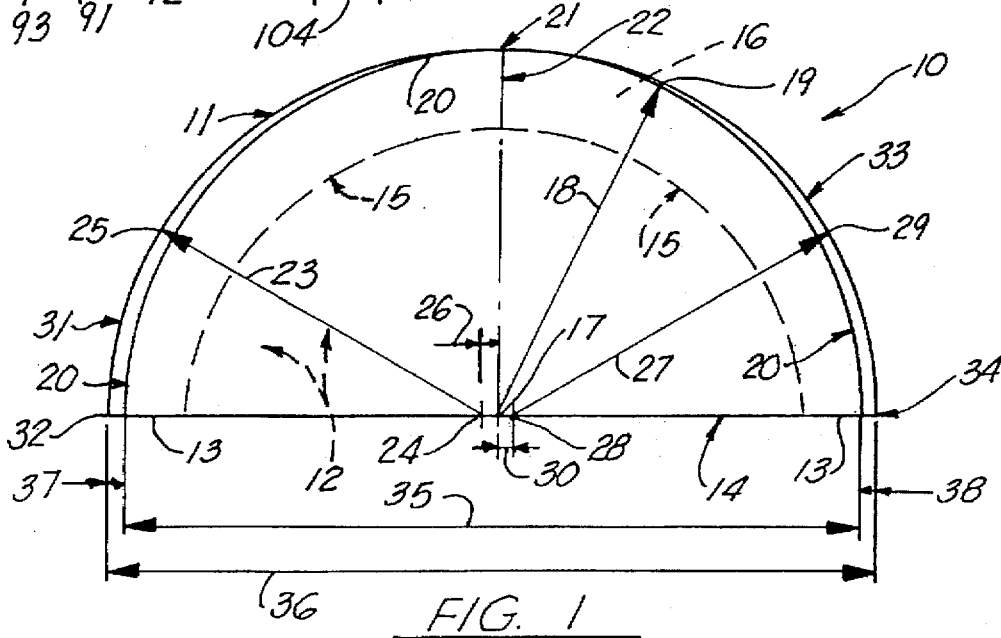
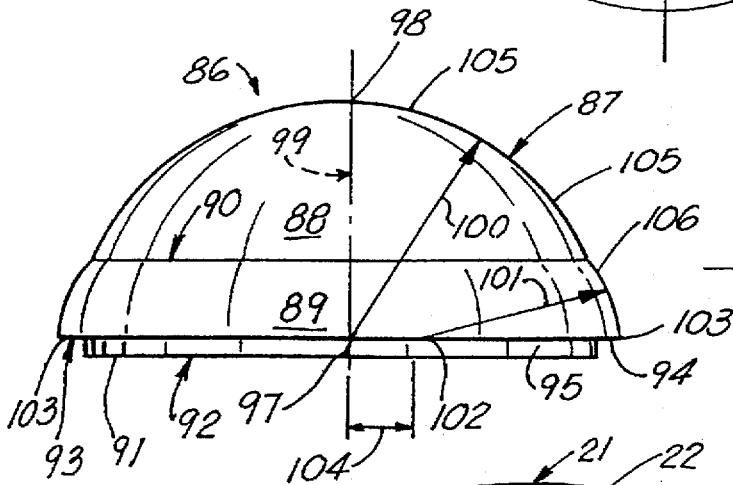


FIG. 4



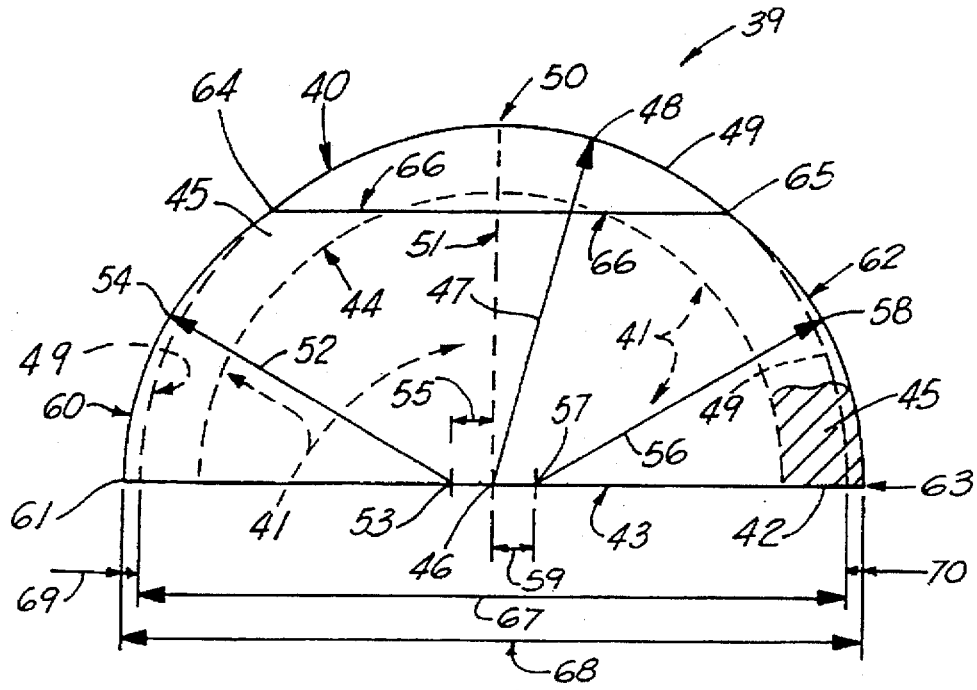


FIG. 2

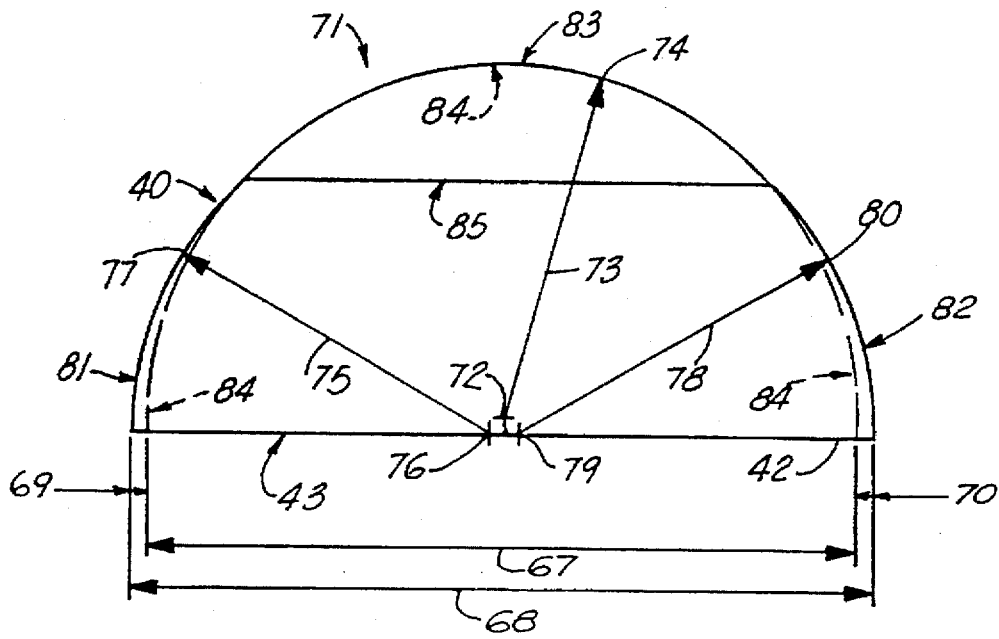


FIG. 3

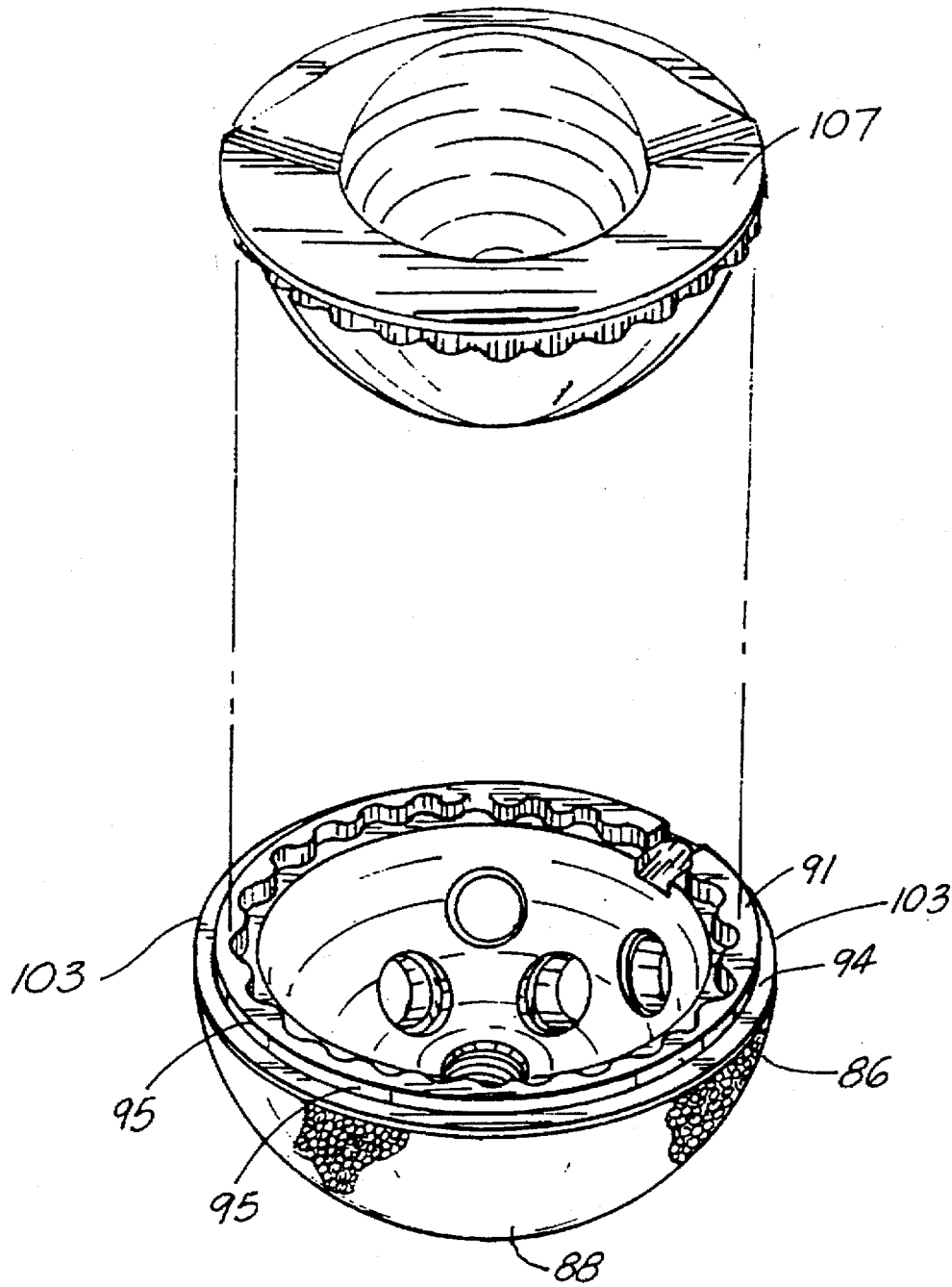
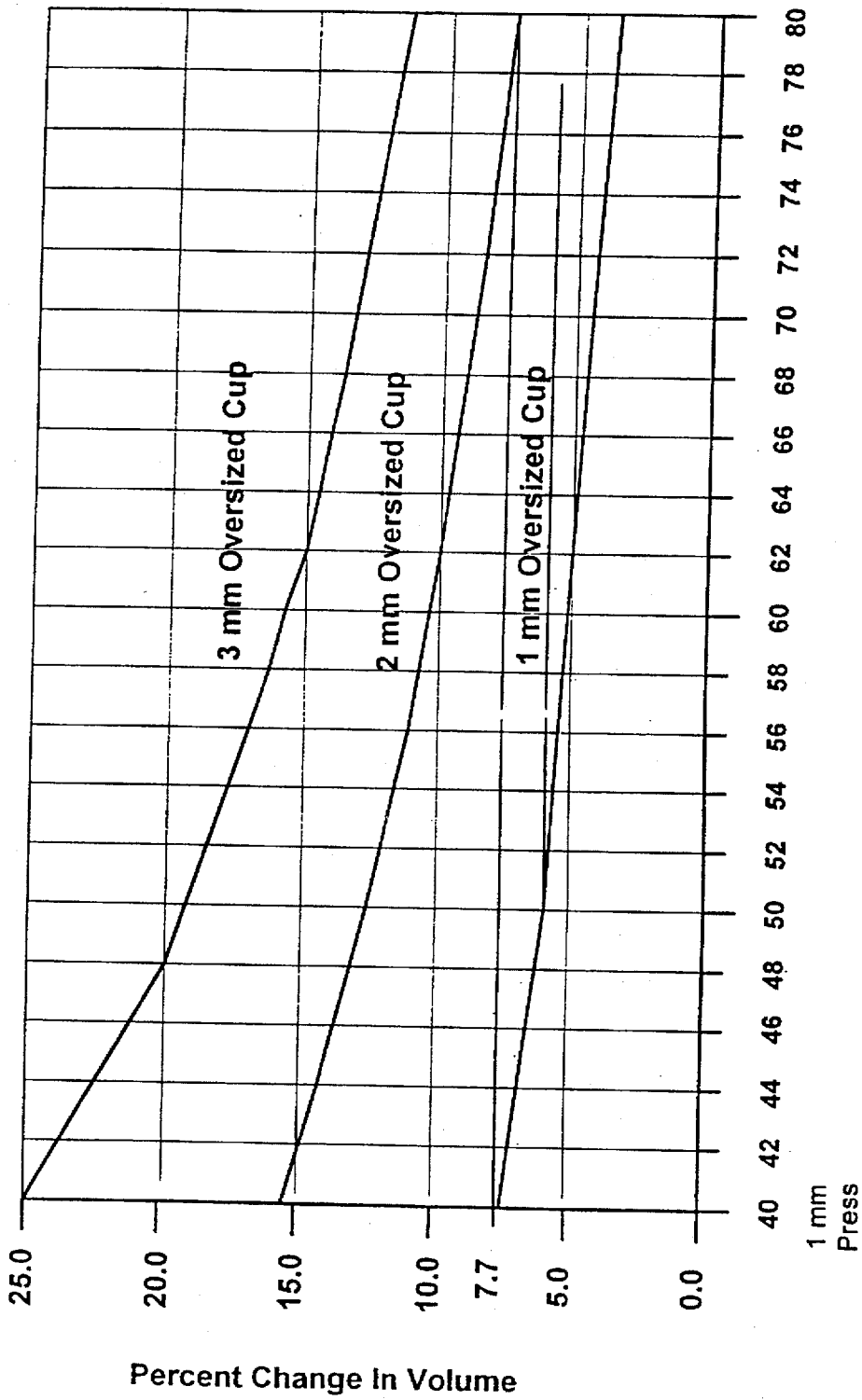


FIG. 6



Reamer Diameter

FIGURE 7

ACETABULAR CUP BODY PROSTHESIS

BACKGROUND OF THE INVENTION

1. Field of the Invention

The present invention relates to orthopedic prosthetic devices and more particularly to an improved orthopedic prosthesis (and a method of surgically implanting the prosthesis), wherein the prosthesis is in the form of a cup shaped body having an inner concave surface, an outer convex surface, and an annular rim that defines a plane, and wherein all or majority of the outer convex surface define a curved annular shape that can form an interference fit with a purely hemispherical socket that is surgically prepared, and wherein the amount of interference fit is proportional with cup diameter.

2. General Background

There are a number of commercially available acetabular prosthetic devices that include a cup shaped body. Some of these acetabular cups have correspondingly shaped inner and outer concave and convex surfaces. Some acetabular cup devices have outer surfaces with two differently shaped regions thereon including an annular rim or skirt that is thickened for forming an interference fit with the pelvis. Another acetabular cup (Patent DE 3341723C1) is in the form of a hemispherical socket body that is flattered at the crown region, to ensure lateral wedging of the socket in the pelvic bone.

Another patented cup design is seen in the Averill U.S. Pat. No. 4,704,127 entitled "Dual-Geometry Acetabular Cup Component and Method of Implant". The '127 patent provides a cup with a shell component having an outer surface that includes a frustro-conical surface portion and a spherical surface portion. As part of the method, the patient's acetabulum is prepared with an inner surface that includes a frustro-conical surface portion and a spherical surface portion, the spherical surface portions having essentially the same radius and the frustro-conical surface portions having relative dimensions such that upon nesting of the spherical surface portions in contiguous relationship, the frustro-conical portions engage one another in an interference fit to secure the shell component within the prepared acetabulum.

The Figgie U.S. Pat. No. 4,892,549 discloses an acetabular cup that has a shell component with an outer surface including a first spherical surface portion and a second spherical surface portion, and an acetabulum is prepared with an inner surface having a spherical configuration complementary to the second spherical surface portion of the shell component. The radius of the first spherical surface portion is slightly greater than the radius of the second spherical surface portion such that upon nesting of the second spherical surface portion of the shell component in contiguous relationship with the inner surface of the acetabulum, the first spherical surface portion engages the inner surface of the acetabulum in an interference fit to secure the shell component within the prepared acetabulum.

Some acetabular cup devices have projections extending from the outer surface of the cup-shaped body for engaging the surrounding pelvic bone tissue. For example, U.S. Pat. No. 3,939,497 describes a socket for a hip joint prosthesis which is secured to a cavity in the bone tissue by a series of radially arranged pegs which can be projected outwardly from the wall of the socket into the surrounding tissue by a central screw which also has a self-tapping thread that enters the tissue.

U.S. Pat. No. 4,685,923 discloses a hip joint socket made from a plastic material that can be installed without the use

of bone cement or adhesive. The socket comprises a hemisphere of polyethylene.

The Forte et al. U.S. Pat. No. 4,695,282 discloses an acetabular cup assembly that includes a metal shell component and a plastic bearing insert capable of assembly intraoperatively, the metal shell component being secured in position within the acetabulum and then the plastic bearing insert being receivable within the shell component. The shell component has an outer surface that includes a generally spherically shaped portion and a generally frustro-conically shaped second surface portion. An annular shoulder forms a connection between the two different outer surfaces of the shell.

The Cremascoli U.S. Pat. No. 4,813,959 discloses a total hip prosthesis structure that includes an acetabular or socket component and a femoral or pin component, the two components being made of a metal or a metal alloy and being intimately connected to parts of ceramic material at least part of the surface of which is granular or porous so as to encourage osteogenesis after implantation. The metal part of the acetabular component is shaped in such a way as to simplify and facilitate its anchorage in a corresponding cavity of the ilium by having a sharp screw thread thereon.

In U.S. Pat. No. 4,792,337 an acetabular cup is provided which has a metallic shell. The cup is for cementless fixation in the acetabulum.

In U.S. Pat. No. 4,828,565 there is provided a component for a non-cemented hip prosthesis. The component has two parts, a titanium hemispherical shell and a cup of polymer which is engaged into it.

Another acetabular cup for cement-less fixation in the acetabulum is described in European Patent Application No. 13,863, published Jun. 8, 1980.

European Patent Application No. 169,978 published May 2, 1986, describes an acetabular cup which has an outer shell embedded into the patient's pelvis. The outer shell has a frustro-conical skirt and a spherical central cap.

In European Patent Application No. 211,169 published Feb. 25, 1987, an acetabular cup is described in which an external boss protrudes from the outer surface of the acetabulum body to fit into a pre-drilled hole in the acetabulum.

Other foreign patents and patent applications which describe acetabular cups include European Patent Application No. 212,087 published Apr. 3, 1987, wherein metallic pins project from the surface of the cup and contain holes in which tissue may grow. In European Patent No. 341,198 published Nov. 8, 1989, an acetabular cup has a metal outer shell and a plastic body for retaining the hip joint head.

A PCT publication WO 95/16413 discloses a hip cup for use as an acetabular component in a hip prosthesis. The prosthesis comprises a shell part having an at least partially convex outer surface. The shell part is insertable into a cavity having an inner surface that is substantially defined by the outer surface of a segment of this sphere. The outer surface of the shell part substantially corresponds to the outer surface of a part of an ellipsoid, the arrangement being such that during positioning the shell part contacts the longitudinal edge of the cavity at least by a circumferential edge, while a space is formed between the inner surface of the cavity and the apex of the shell part.

Two recent U.S. Patents have issued for acetabular cup components. The Averill U.S. Pat. No. 5,443,519 discloses an acetabular cup prosthetic device comprised of an outer shell component and an inner bearing insert and a method of

implanting the acetabular cup prosthetic within a patient. The outer surface of the shell has a plurality of region in which conform to the curvature of at least one ellipsoid.

The Evans U.S. Pat. No. 5,358,532 entitled "CEMENTLESS ACETABULAR CUP" provides a component that is press fit into a patient's acetabulum to create an interference fit and to eliminate the need for cement. A body portion of the cup provides an outer convex surface. The inside of the cup provides an inner concave surface. An apex portion of the cup or shell is spaced from the lower rim portion, the rim defining a plane. A plurality of annular rings are spaced along the body outer surface beginning at the lower rim and extending at least a partial distance toward the apex. Each of the annular rings is preferably generally parallel to the plane of the lower rim. Three recently issued European patents disclose other examples of acetabular prosthetic components. These include European patents specifications 0091315, 0285756, and 0327509.

SUMMARY OF THE PRESENT INVENTION

The present invention provides an acetabular cup prosthesis that includes a surgically implantable acetabular cup body having an inner concave surface and an outer convex surface adapted to interface with a reamed, hemispherical socket of a patient's pelvic bone tissue.

In the preferred embodiment, the pelvic bone tissue is prepared by providing a shaped, reamed socket using a single step reaming process into which the acetabular cup body is fitted during the surgical procedure.

The cup body provides an apex and a base in the form of an annular rim that has a radius and a center as origin for the radius. The origin is positioned on a plane that is defined by the annular rim.

In another embodiment, the cup body has an outer convex surface that has a curved annular surface between the apex and the rim.

In one embodiment, the portion extends between the base and a position near but spaced from the apex.

In one embodiment, the curved annular portion extends from the base to a position about two thirds of the distance of the base to the apex.

The curved annular shape is defined by curved line that extends from the apex to the rim and having a radius of curvature of preferably smaller than the apical radius with an origin for the radius that is spaced about 2 millimeters from the cup rim center, such that the outer diameter of the torus is greater than the apical diameter.

The curve line is then generated 360° to generate the curved annular surface in one embodiment.

BRIEF DESCRIPTION OF THE DRAWINGS

For a further understanding of the nature and objects of the present invention, reference should be had to the following detailed description taken in conjunction with the accompanying drawings, in which like parts are given like reference numerals, and wherein:

FIG. 1 is a perspective view of a embodiment of the apparatus of the present invention;

FIG. 2 is a side sectional view of a second embodiment of the apparatus of the present invention;

FIG. 3 is a side sectional view of a third embodiment of the apparatus of the present invention;

FIG. 4 is a side sectional view of a fourth preferred embodiment of the apparatus of the present invention; and

FIG. 5 is a top view of the embodiment of FIG. 4;

FIG. 6 is an exploded view of the embodiment of FIGS. 4-5; and

FIG. 7 is a schematic graphical illustration of the proportionality aspect of the present invention.

DETAILED DESCRIPTION OF THE PREFERRED EMBODIMENT

FIG. 1 shows the preferred embodiment of the apparatus of the present invention designated generally by the numeral 10. Acetabular cup prosthesis 10 is in the form of a cup body having an outer convex surface 11, a concavity 12 for receiving a polyethylene liner and the ball of a femoral implant, and annular rim 13 that is generally flat to define base plane 14.

The cup prosthesis 10 includes a concave surface 15 that surrounds the concavity 12. The cup 10 is in the form of a body defined by cup wall 16. The interior concavity 12 can be generally hemispherically shaped, as defined by inner surface 15. The outer convex surface 11 is not completely hemispherically shaped, but rather has a curved annular shape.

Annular rim 13 is a flat rim that is circular in shape, having an origin 17 that falls in base plane 14. A purely hemispherical shape is illustrated by radial line 18 having one end portion at origin 17 and its opposite end portion at terminal 19. If the radial line 18 is rotated and about origin 17, a purely hemispherical shape is generated, designated by the curve line 20 in FIG. 1. Line 22 is also a radial line that extends from origin 17 to cup apex 21. The line 22 is perpendicular to plane 14.

Outer surface 11 is a curved annular shaped surface. When compared to hemispherical curved line 20, the outer surface 11 of the cup 10 gradually thickens continuously from apex 21 toward points 32 and 34. If the surgeon prepares a pure hemispherically shaped socket at the patient's acetabulum using a reamer, the prosthesis 10 will form an interference fit with such a hemispherical socket due to this ever thickening geometry and shape of outer surface 11 as shown in FIG. 1. A purely hemispherically shaped cup 10 is tracked by the curved line 20 and has diameter defined by the arrow 35 in FIG. 1. The shaped cup outer surface 11 of the present invention has a diameter defined by the arrow 36, thus showing a thickened region when compared to hemispherical diameter 35 the thickened region is designated by the arrows 37 and 38 in FIG. 1.

The shaped cup 10 will form an interference fit with a hemispherically shaped, surgically prepared socket having a size and shape as tracked by curved line 20 in FIG. 1 and having diameter 35.

To define the shape of outer surface 11, a pair of reference lines 23, 27 are shown in FIG. 1. The reference line 23 is a radial line having a beginning point 24 that lies in base plane 14 and which is spaced from origin 17 by a measure designated as arrow 26. Line 23 terminates at terminal 25. In FIG. 1, a second reference line 27 is a radial line beginning at 28 and ending at terminal 29. The line 27 is spaced from origin 17 by a measure designated as 30 in FIG. 1.

When rotated between the point 32 and apex 21, the radial reference line 23 generates a curved line 31 extending between the point 32 at rim 13 and the cup apex 21. Similarly, the reference radial line 27 generates a curved line 33 beginning at point 34 on rim 13 and ending at apex 21. The lines 31, 33 generate a curved annular outer surface 11 when rotated 360° about central axial line 22.

FIG. 2 designates a second embodiment of acetabular cup prosthesis of the present invention designated generally by the numeral 39. Cup prosthesis 39 has a convex surface 40, a concavity 41 for receiving a polyethylene liner and then a hip prosthesis ball for example, and an annular rim 42 that defines a base plane 43. The cup prosthesis 39 has a concave surface 44 and a cup wall 45. The annular rim 42 is circular, having an origin 46 that falls in base plane 43. Prosthesis 39 includes a concave surface 44 that communicates with annular rim 42. The cup wall 45 extends around the concavity 41. Annular rim 42 is generally circular, having an origin 46. A radial line 47 extends from origin 46 to a terminal point 48 as shown. The radial 47, when rotated about origin 46 produces a hemispherical curved portion between points 64 and 65. This curved portion is designated as 49 in FIG. 2. A reference line 51 extending between origin 46 and along a line perpendicular to plane 43 defines a radial line that communicates with apex 50 of cup 39.

A pair of radial lines 52, 56 are also seen in FIG. 2. Each of these radial lines 52, 56 has a beginning point 53, 57 respectively that is spaced from origin 56. The distance of spacing is designated respectively by the arrows 55, 59 in FIG. 2.

If reference lines 52 and 56 are rotated respectively about their beginning points 53, 57, the terminal end point 54, 58 respectively of each radial line 52, 56 tracks a curved line that tracks between points 64 and 65 to point 61 and 63. The curved line generated by radial line 52 is designated as 60 in FIG. 2. The curved line that is generated by radial line 56 is designated as 62 in FIG. 2. These curved lines 60, 62 extend between the beginning points 61, 63 and end at annular reference line 66. In the elevational view of FIG. 2, points 64 and 65 fall on annular reference line 66. Curved lines 60, 62 define a curved annular portion of cup prosthesis 39 when rotated 360° about hemispherical line 51. Curved line 49 is a portion of cup prosthesis 39. When radius 47 is rotated beyond the reference line 66 toward points of beginning 61, 63, a purely hemispherically shaped curved line would be produced that is designated by the numeral 49 which is a phantom line below annular reference line 66 as shown in FIG. 2. Thus, the portion of cup 39 that extends beyond the phantom lines 49 and which is tracked by the curved line 60, 62 represents a thickened area of the cup wall 45 that can be used to form an interference fit with a hemispherically shaped socket formed in the patient's acetabulum. The line 49 in FIG. 2 represents the shape of the opening that would be formed in the patient's acetabulum prior to the placement of cup prosthesis 39.

In FIG. 2, the diameter of the surgically formed opening is designated by the arrow 67. The arrow 68 defines the thickness or diameter of cup prosthesis 39. The arrows 69 and 70 thus designated the thickened portion of the cup wall 45 that is wedged into the surgically formed opening for creating an interference fit upon placement of the cup prosthesis 39 into the surgically formed, hemispherically shaped cavity.

FIG. 3 shows a third embodiment of the apparatus of the present invention designated by the numeral 71. The cup body 71 is similar in shape to the cup shown in FIG. 2. It thus has an outer surface 40 that is convex and an annular rim 42 that defines a base plane 43. However, the configuration of surface 40 differs slightly from that of the embodiment of FIG. 2. As shown in FIG. 3, an origin 72 is shown for beginning the reference line 73 that also has a terminal 74. The origin 72 lies on a line extending the shortest distance between cup apex 83 and base plane 43. Origin 72 can be for example two millimeters above base plane 43.

The radial line 73 tracks a curved surface 84. A second pair of reference lines in the form of radius 75 and radius 78 extend from beginning points 76, 79 respectively to terminal points 77, 80.

In the embodiment of FIG. 3, a curved line 81 is generated by rotation of radius 75 between plane 43 and annular reference line 85. Similarly, the radius 78 tracks a curved line 82 between plane 43 and annular line 85. In FIG. 3, the dimension lines 67 extends between end portions of the curved line 84 at plane 43. The dimension line 68 defines the outer diameter of cup body 71, at plane 43. The thickened area that forms an interference fit is likewise designated by the numerals 69, 70 as with the embodiment of FIG. 2.

In FIGS. 4-6, a fourth (and preferred) embodiment of the apparatus of the present invention is shown, designated by the numeral 86. In FIGS. 4-6, acetabular prosthesis 86 has an outer convex surface 87 that is comprised of two outer surface areas 88, 89. Surface 88 is a first curved surface area that is closest to cup apex 98. Surface 89 is a second annular surface that is closest to up base 91. The interface between surfaces 88, 89 is a smooth transition 90 as shown in FIG. 4. The smooth transition 90 is formed by generating the two surfaces 88, 89 using two different radii of curvature 100, 101 as described hereinafter.

Acetabular prosthesis 86 has a base 91 that defines a flat plane 92. Acetabular cup prosthesis 86 has a central axis 99 between apex 98 and arc center 97. The first annular surface area 88 is generated by a radial line 100 that has its origin at arc center 97. Radial line 100 generates a curved line 105, that extends from apex 98 to transition 90. The first convex surface area 88 is generated by rotating the curved line 105 three hundred sixty degrees (360°) about central axis 99.

The second annular surface area 89 is generated by a rotating curved line 106 three hundred sixty degrees (360°) about axis 99. Radial line 101 generates curved line 106 from periphery 103 to transition 90. The radius 101 is much smaller than the radius 100, being about sixty percent (60%) of the size of radius 100 for example. Arc centers 97, 102 are not in the same base plane 92, and are offset by a measure designated as 104.

This geometry of the embodiment of FIGS. 4-5 produce a generally hemispherical shape between apex 98 and transition 90, and a thicker annular section below transition 90. This geometry produces an improved interference fit with a hemispherically shaped surgically prepared socket reamed in the patient's acetabulum. The interference fit begins after the cup has been fitted about two thirds of the distance into the surgically reamed acetabular socket. The surgically prepared socket would be reamed with a hemispherical reamer having an outer hemispherical shape generated by a radial line equal to the size of radial line 100 and extending between apex 98 and shoulder 94. Thus, the surface area 89 will be oversized as compared to the surgically prepared hemispherical opening, the surface area 89 producing an interference fit with the patient's bone tissue upon full insertion of the prosthesis 86 into the surgically prepared hemispherical socket.

Annular shoulders 94, 95 intersect each other to form an angle of about ninety degrees (90°), forming annular recess 93. Shoulder 94 is parallel to in plane 92. Shoulder 95 is perpendicular to plane 92. Recess 93 can accept tissue ingrowth. A polyethylene cup liner 107 can snap into the cup body 86.

In FIG. 7 there is illustrated in graphical form a proportionality concept that can be applied to each apparatus of the present invention. FIG. 7 shows a comparison of the percent

(%) change in volume with the reamer diameter used by the surgeon to create the hemispherically shaped reamed opening that will be occupied by each embodiment of the acetabular cup of the present invention as shown in the above drawings 1-6.

Three different curves 108-110 are shown. The curve 108 is for a one millimeter (1 mm) oversized cup. The curve 109 is for a two millimeters (2 mm) oversized cup. The curve 110 is for a three millimeters (3 mm) oversized cup. With the teaching of the present invention, a cup has the same percentage change in volume notwithstanding the reamed diameter. This means that smaller cups require less press or interference fit while larger cups may accommodate interference fit.

This proportionality can be calculated by dividing the difference in volume of the cup and the acetabulum by the volume of the acetabulum (the $V_c - V_a / V_a$). When calculated over a range of cup sizes (for example, forty millimeters (40 mm)-eighty millimeters (80 mm)), one can see that the percent change in volume is approximately the same for a forty millimeters (40 mm) cup pressed at one millimeter (1 mm) as an eighty millimeters (80 mm) cup pressed at two millimeters (2 mm). This is illustrated in the percentage change in volume vs. reamer diameter graph of FIG. 7. The percent change in volume of the bone may be calculated more accurately by the following: % change $V (R_{cup}^3 - R_{reamer}^3) / (R_{bone}^3 - R_{reamer}^3)$.

If the same millimeter increment in cup oversizing is inserted into different acetabula, such as a two millimeter (2 mm) oversized fifty millimeter (50 mm) cup in a forty eight millimeter (48 mm) acetabulum, and a two millimeter (2 mm) oversized seventy millimeter (70 mm) cup in a sixty eight millimeter (68 mm) acetabulum, a greater relative change in volume occurs in the smaller compared to the larger acetabulum. This produces greater bone strains in the smaller sized acetabulum.

With the same millimeter increment in cup oversizing, there is a greater risk of fracture in a small acetabulum and a greater risk of inadequate press fit stability in large acetabulum. A cup which is slightly widened at the periphery increases lateral bone strains more than an oversized hemispherical cup, with only a slight increase in medial bone strains. The non-hemispherical geometry of the present invention provides better peripheral stability than an oversized hemispherical cup and less risk of fracture through the dome of the acetabulum.

When a constant amount of oversizing is used, the relative change in volume is greater for a small diameter compared to a large diameter cup (see FIG. 7). For example, when the acetabulum is reamed to forty two millimeters (42 mm) and a two millimeter (2 mm) oversized (forty four millimeter (44 mm) diameter) cup is inserted, the acetabular volume increases by fifteen percent (15%). When the acetabulum is reamed to sixty two millimeters (62 mm) and a two millimeter (2 mm) oversized (sixty four millimeter (64) diameter) cup is inserted, the acetabular volume increase by ten percent (10%). Another example is that both a forty eight millimeter (48 mm) reamed acetabulum oversized by two millimeter (2 mm) and a seventy two millimeter (72 mm) reamed acetabulum oversized by three millimeter (3 mm) each produce a thirteen percent (13%) change in volume.

The following table lists the parts numbers and parts descriptions as used herein and in the drawings attached hereto.

PARTS LIST

Part Number	Description
10	acetabular cup prosthesis
11	convex surface
12	concavity
13	annular rim
14	base plane
15	concave surface
16	cup wall
17	origin
18	radial line
19	terminal
20	curved line
21	apex
22	reference line
23	radial line
24	beginning point
25	terminal
26	arrow
27	radial line
28	beginning point
29	terminal
30	arrow
31	curved line
32	beginning point
33	curved line
34	beginning point
35	arrow
36	arrow
37	arrow
38	arrow
39	acetabular cup prosthesis
40	convex surface
41	concavity
42	annular rim
43	base plane
44	concave surface
45	cup wall
46	origin
47	radial line
48	terminal
49	curved line
50	apex
51	reference line
52	radial line
53	beginning point
54	terminal
55	arrow
56	radial line
57	beginning point
58	terminal
59	arrow
60	curved line
61	beginning point
62	curved line
63	beginning point
64	terminal
65	terminal
66	annular reference line
67	arrow
68	arrow
69	arrow
70	arrow
71	acetabular cup prosthesis
72	origin
73	radial line
74	terminal
75	reference line
76	beginning point
77	terminal
78	reference line
79	beginning point
80	terminal
81	curved line
82	curved line
83	apex
84	curved line
85	annular reference line

-continued

PARTS LIST

Part Number	Description
86	acetabular cup prosthesis
87	outer surface
88	first annular surface
89	second annular surface
90	smooth transition
91	base
92	plane of base
93	annular rim
94	annular shoulder
95	annular shoulder
96	concave surface
97	arc center
98	apex
99	axis
100	radius
101	radius
102	arc center
103	periphery
104	offset
105	curved line
106	curved line
107	cup liner
108	curve
109	curve
110	curve

Because many varying and different embodiments may be made within the scope of the inventive concept herein taught, and because many modifications may be made in the embodiments herein detailed in accordance with the descriptive requirement of the law, it is to be understood that the details herein are to be interpreted as illustrative and not in a limiting sense.

What is claimed as invention is:

1. An acetabular cup prosthesis, comprising:

- a) a surgically implantable acetabular cup body having an inner surface and an outer convex surface adapted to interface with a patient's pelvic bone tissue;
- b) the cup body having an apex, a base in the form of an annular rim that has a radius, a base center as origin for the radius, a cup axis which intersects the apex and base center, and an annular rim periphery;
- c) said cup body outer convex surface having first and second curved surface areas;
- d) the first curved surface area being nearest the apex and being generated by rotating an arc 360° around the cup axis which intersects the base center and apex, the arc being a curved line having a first radius of curvature with first origin near the base center and its terminal end at the apex; and
- e) the second curved surface area being positioned next to the base and being generated by rotating an arc 360° around the cup axis, the arc being a curved line having a second radius of curvature with a second origin that is spaced between the center and the annular rim periphery.

2. The prosthesis of claim 1 wherein the first and second curved surface areas interface at a smooth transition portion.

3. The prosthesis of claim 1 wherein the first curved surface area extends from the apex to a position about two thirds of the distance between the apex and base.

4. The prosthesis of claim 1 wherein the first radius of curvature is greater than the second radius of curvature.

5. The acetabular cup prosthesis of claim 1 wherein the first radius of curvature is about twice the length of the second radius of curvature.

6. The acetabular cup prosthesis of claim 1 wherein the origin of the second radius of curvature is about half way between the base origin and the rim periphery.

7. The acetabular cup prosthesis of claim 1 wherein the rim is formed of a pair of intersecting annular surfaces defining an annular recess at the rim periphery.

8. The acetabular cup prosthesis of claim 7 wherein one of the annular surfaces is generally parallel to the base.

9. The acetabular cup prosthesis of claim 8 wherein one of the annular surfaces is generally perpendicular to the base.

10. The acetabular cup prosthesis of claim 1 wherein the first origin and second origin are spaced apart about half the diameter of the annular periphery at the base.

11. An acetabular cup prosthesis, comprising:

- a) a surgically implantable acetabular cup body having an inner surface and an outer convex surface adapted to interface with a patient's pelvic bone tissue;
- b) the cup body having an apex, a base in the form of an annular rim that has a radius, a base center as origin for the radius, a cup axis which intersects the apex and base center, and an annular rim periphery;
- c) said cup body outer convex surface having first and second outer curved surface areas;
- d) the first curved surface area being nearest the apex and being generated by rotating an arc 360° around the cup axis, the arc being a curved line having a first radius of curvature with an origin positioned at the base center and a terminal end positioned at the apex; and
- e) the second curved surface area being positioned next to the base and being generated by rotating an arc 360° around the cup axis, the arc being a curved line which has a second radius of curvature with an origin that is spaced between the base center and the annular rim periphery.

12. The prosthesis of claim 11 wherein the first and second curved surface areas interface at a smooth transition portion.

13. The prosthesis of claim 11 wherein the second curved surface area extends from the base to a position about two thirds of the distance between the base and the apex.

14. The prosthesis of claim 11 wherein the first and second radii of curvature are about the same length.

* * * * *